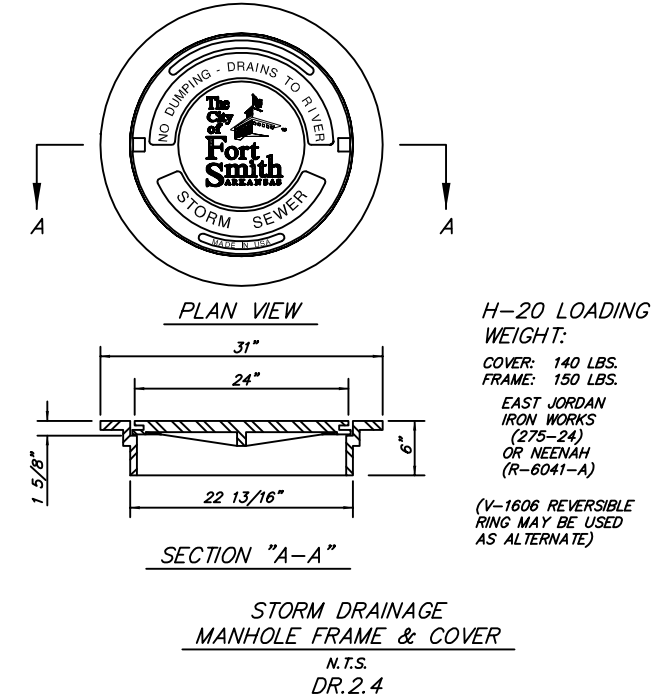
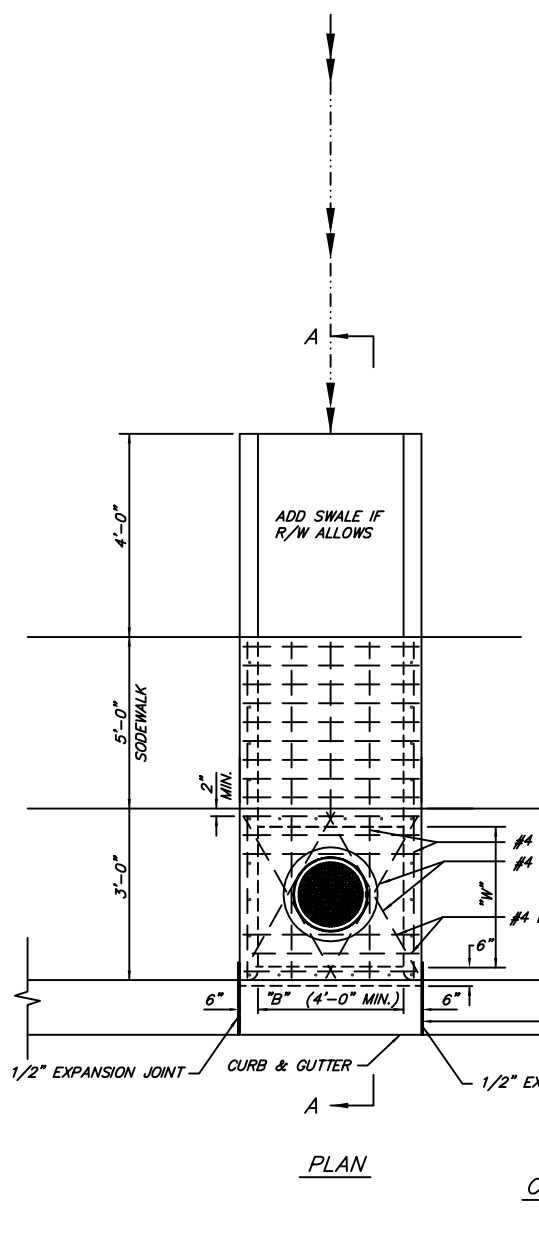
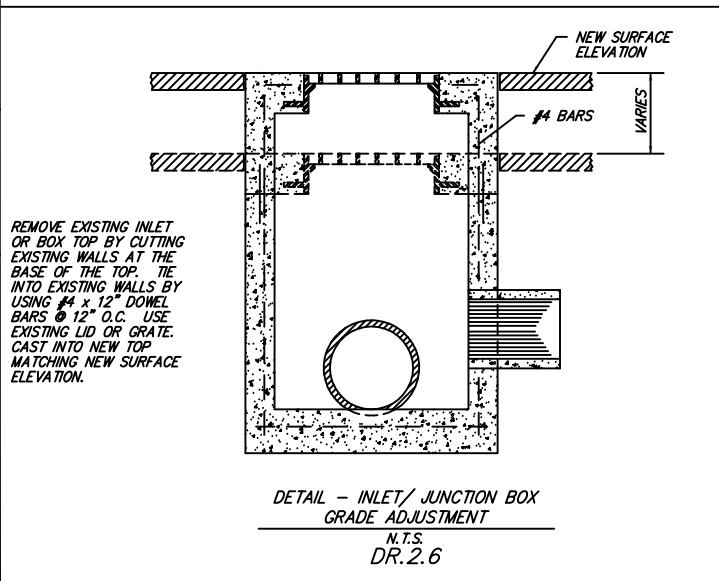
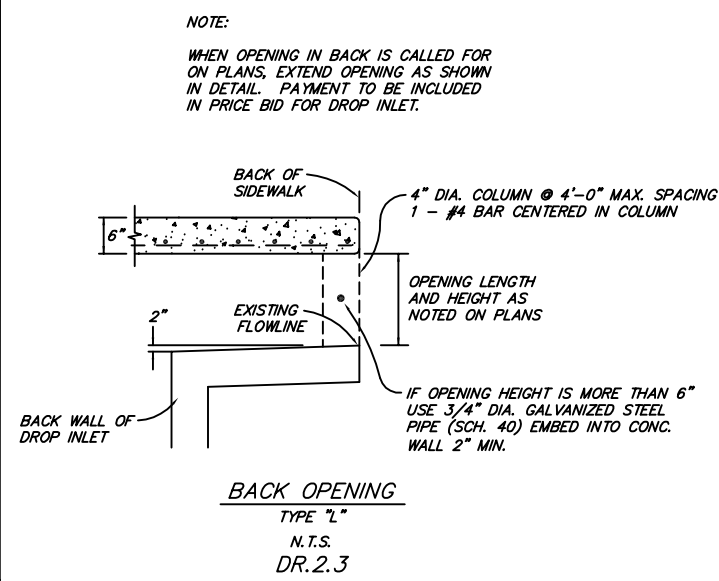


METHOD OF CONSTRUCTING INLET  
ON EXISTING OR PRECAST R.C. BOX CULVERT  
N.T.S.  
DR.2.1

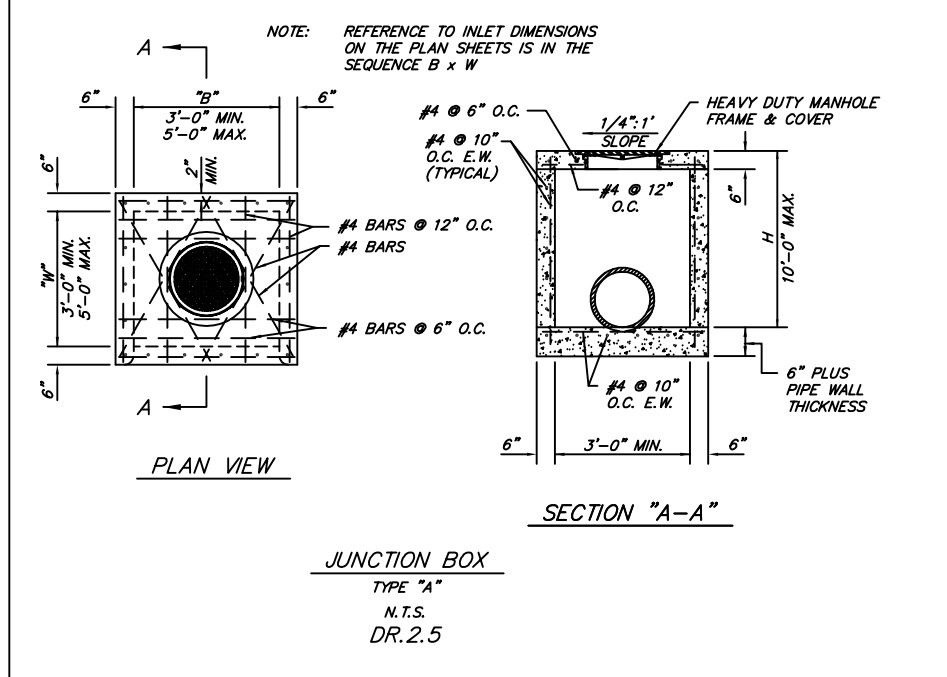
NOTES:  
1. DIMENSIONS AND REINFORCING BAR SIZES SHALL CONFORM TO THOSE SHOWN ON STANDARD DRAWINGS FOR INLETS.  
2. INLET LOCATIONS ON EXISTING RC BOX CULVERTS TO BE REVIEWED AND APPROVED BY ENGINEER.

METHOD OF CONSTRUCTING INLET  
ON NEW R.C. BOX CULVERT  
N.T.S.  
DR.2.2

NOTE:  
DIMENSIONS AND REINFORCING BAR SIZES SHALL CONFORM TO THOSE SHOWN ON STANDARD DRAWINGS FOR INLETS.



H-20 LOADING WEIGHT:  
COVER: 140 LBS.  
FRAME: 150 LBS.  
EAST JORDAN IRON WORKS (275-24) OR NEENAH (R-6041-A)  
(V-1606 REVERSIBLE RING MAY BE USED AS ALTERNATE)



DRAINAGE DETAIL NOTES:

- ALL CONCRETE SHALL BE CLASS "AAA" 4000 psi.
- FORMED CONCRETE SURFACES EXPOSED TO VIEW SHALL BE GIVEN A CLASS 2 RUBBED FINISH. UNFORMED CONCRETE SURFACES EXPOSED TO VIEW SHALL BE GIVEN A CLASS 6 BROOMED FINISH.
- ALL EXPOSED CORNERS TO HAVE 3/4" CHAMFER.
- ALL REINFORCING BARS SHALL BE #4 AND HAVE A MINIMUM 1 1/2" COVER NEXT TO AIR, 3" NEXT TO GROUND UNLESS NOTED OTHERWISE.
- 2" DIAMETER WEEP HOLES TO BE INSTALLED IN THE INLET WALLS AS DIRECTED BY THE ENGINEER. OUTSIDE ENDS OF WEEP HOLE PIPE SHALL BE WRAPPED WITH FILTER FABRIC TO PREVENT SOIL INTRUSION INTO THE PIPE.
- CURB INLETS AND EXTENSIONS ON CURVED SECTIONS SHALL CONFORM TO THE CURVATURE OF THE CURB.
- DURING CONSTRUCTION OF THE ROADWAY, THE CONTRACTOR SHALL MAINTAIN DRAINAGE INTO OR AROUND THE DROP INLET AS APPROVED BY THE ENGINEER.
- PAYMENT FOR CURB AND GUTTER WITHIN THE LIMITS OF CURB INLETS AND EXTENSIONS WILL BE MEASURED AND PAID FOR SEPARATELY AS CURB AND GUTTER.
- PRECAST UNITS MAY BE USED FOR INLET BOTTOMS AND WALLS ONLY WITH ENGINEER'S APPROVAL. TOPS MUST BE CAST-IN-PLACE. ADJUSTMENTS TO BOXES DUE TO GRADE CHANGES WILL BE AT NO COST TO THE OWNER.

BY	
Date	
Revision	
Standard Drawings DRAINAGE IMPROVEMENTS - INLETS Public Works Construction	
<b>CITY OF FORT SMITH</b> Engineering Department 623 Garrison Avenue, Room 409 Fort Smith, Arkansas 72901 Phone (479)784-2225 Fax (479)784-2245	
Project:	Details
Date:	NOV 2012
Scale:	As Shown
Drawn By:	RBR
Dwg. No.:	DR2
Sheet No.:	3