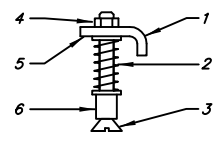
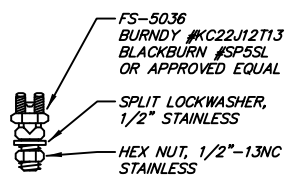


ITEM	DESCRIPTION	QTY
1	COVER LATCH, ALUM.	2
2	SPRING	2
3	FLAT SOC. HD. SCREW 1/4"-20 x 2 1/4", STAINLESS	2
4	HEX. LOCKNUT, 1/4" - 20, SS	2
5	SAE FLATWASHER, 1/4", 22	4
6	PVC SPACER, 1/2" x 1/2"	2



DETAIL A
N.T.S.



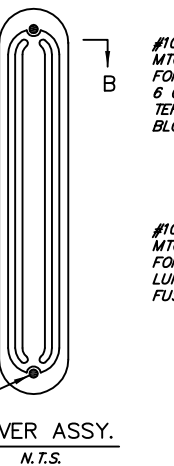
DETAIL B
N.T.S.

COVER, VACUUM FORMED
GREY ABS W/ PEARL
GREY KORAD

LATCH ASSEMBLY
(SEE DETAIL A)

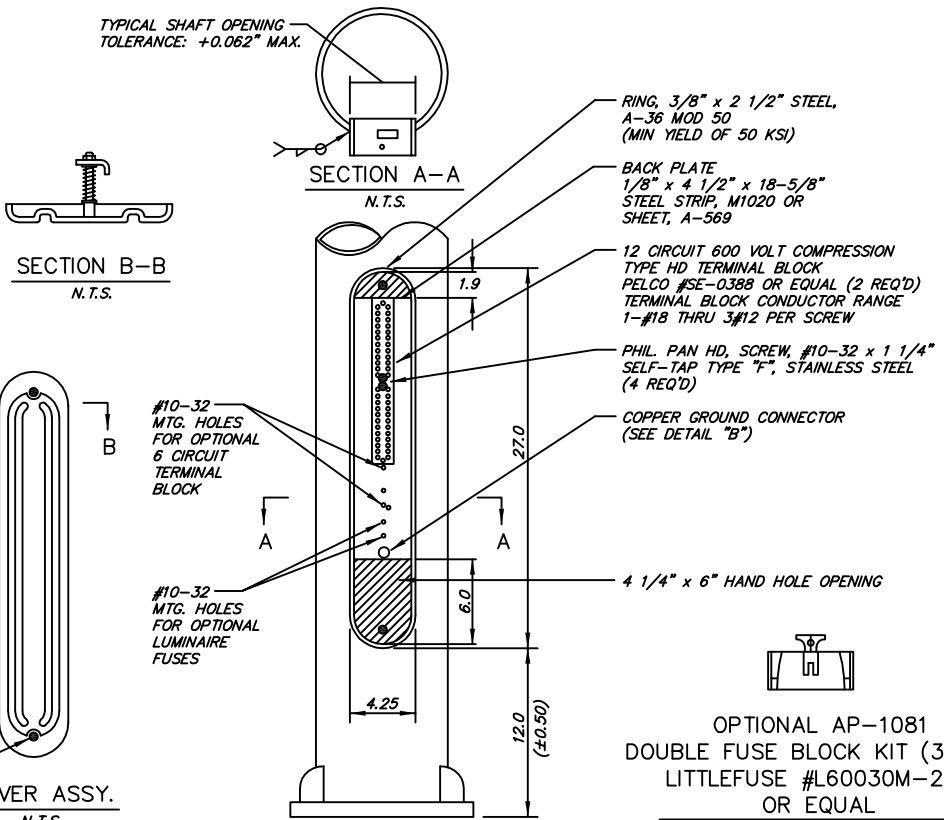
COVER ASSY.
N.T.S.

SECTION B-B
N.T.S.



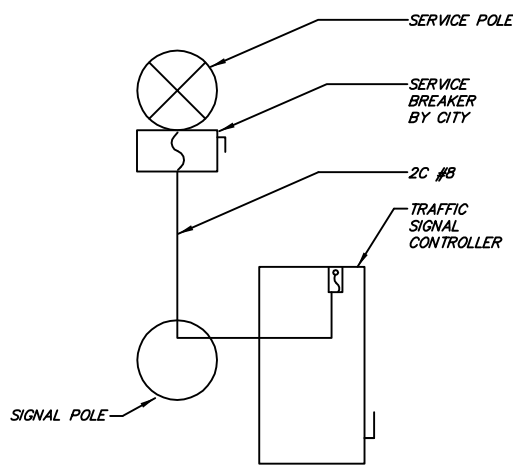
TYPICAL SHAFT OPENING
TOLERANCE: +0.062" MAX.

SECTION A-A
N.T.S.

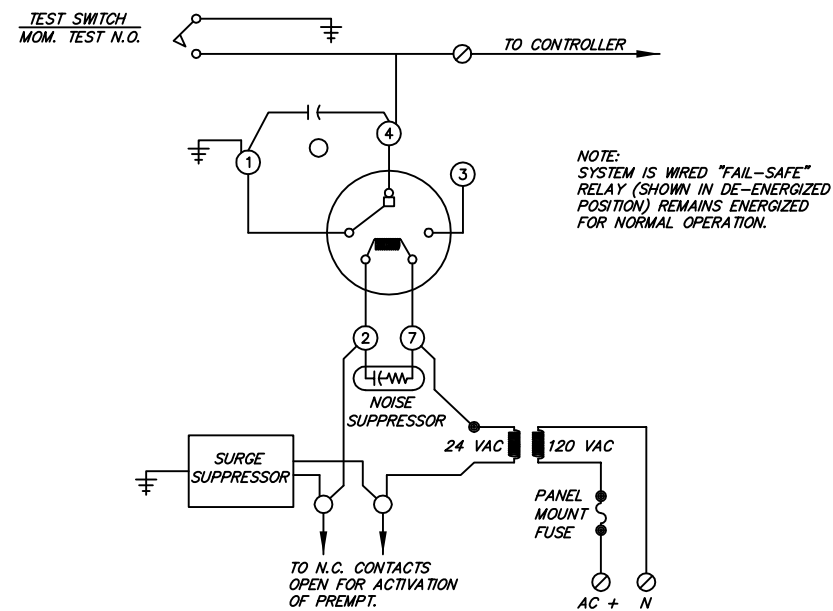


ITC ACCESS COMPARTMENT
3/8" x 4 3/4" x 27"
W/ PELCO COMPRESSION TYPE TERMINAL BLOCKS
N.T.S.
TS.3.1

OPTIONAL AP-1081
DOUBLE FUSE BLOCK KIT (3 AMP)
LITTLEFUSE #L60030M-2SQ
OR EQUAL
N.T.S.



SIGNAL DISCONNECT
N.T.S.
TS.3.2



TRAFFIC SIGNAL PRE-EMPTION
INTERFACE WIRING DIAGRAM
N.T.S.
TS.3.3

Revision	Date	By

Standard Drawings
TRAFFIC SIGNALS
Public Works Construction



CITY OF FORT SMITH
Engineering Department
623 Garrison Avenue, Room 409
Fort Smith, Arkansas 72901
Phone (479)784-2225 Fax (479)784-2245

Project:	Details
Date:	NOV 2012
Scale:	As Shown
Drawn By:	RBR
Dwg. No.:	TS3
Sheet No.:	34