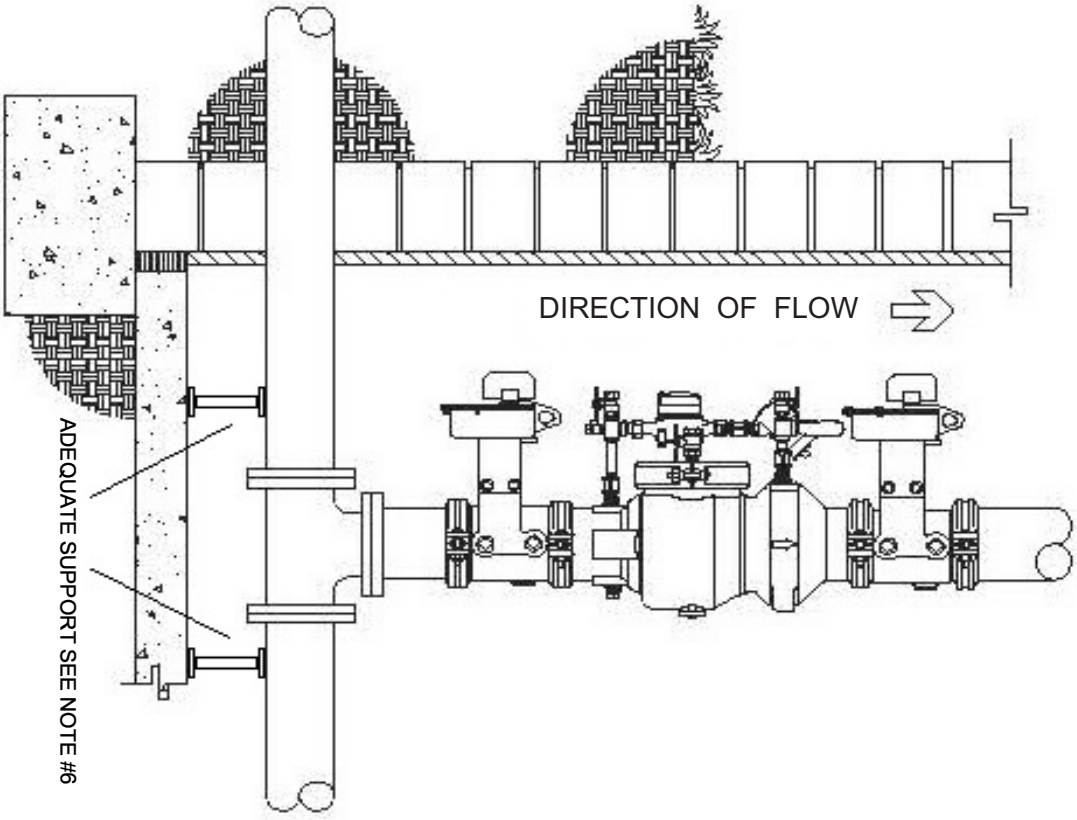


DOUBLE CHECK DETECTOR ASSEMBLY INDOOR VERTICAL INSTALLATION



NOTES

1. DOUBLE CHECK DETECTOR ASSEMBLY (DCDA), SIZE, MAKE, MODEL AND INSTALLATION ORIENTATION APPROVED BY USC FOUNDATION FOR CROSS CONNECTION CONTROL AND HYDRAULIC RESEARCH.
2. ASSEMBLY MUST BE INSTALLED IN A MANNER THAT PROVIDES EASY ACCESS FOR TESTING, MAINTAINING, REPAIRING AND REPLACING ASSEMBLY.
3. ASSEMBLY MUST BE INSTALLED IN HEATED AREA. ASSEMBLY MUST BE ACCESSIBLE BY DOOR FROM THE OUTSIDE (KEY REQUIRED TO BE PROVIDED) AND ISOLATED FROM ACCESS TO REMAINDER OF FACILITY, OR BUILDING OWNER MUST FURNISH LIST OF CONTACT NAMES AND TELEPHONE NUMBERS TO BE CONTACTED IN CASE OF EMERGENCY.
4. LOWEST POINT OF ASSEMBLY SHALL BE AT LEAST 12 INCHES BUT NOT MORE THAN 30 INCHES ABOVE ABOVE FLOOR.
5. ADEQUATE AND PERMANENT METHOD OF HANDLING TEST WATER DISCHARGE SHALL BE PROVIDED.
6. ADEQUATE SUPPORT, EXCLUDING WATER LINES, SHALL BE PROVIDED UNDER ASSEMBLY VALVES FOR ASSEMBLIES THAT ARE 3-INCHES OR LARGER. ADJUSTABLE PIPE STAND SUPPORTS SHALL BE CONSTRUCTED OF MINIMUM 2-INCHES DIAMETER PIPE AND SHALL HAVE FLOOR FLANGE FOR FASTENING STAND TO CONCRETE SLAB. PIPE STANDS SHALL BE FASTENED TO SLAB USING CONCRETE EXPANSION ANCHORS. FOR ASSEMBLIES 10-INCHES OR LARGER THREE PIPE STAND SUPPORTS REQUIRED. THIRD BEING UNDER CENTER OF ASSEMBLY.
7. ALL TEST COCKS SHALL BE IN PLACE WITH SHUT-OFF VALVES. ASSEMBLY MUST BE COMPLETELY TESTABLE. TO INCLUDE DETECTOR LOOP ASSEMBLY.
8. APPROVED BLOW-OFF SHALL BE INSTALLED IN WATER LINE IMMEDIATELY AFTER ASSEMBLY. TO ALLOW FOR FLUSHING. ASSEMBLIES 2-INCH THROUGH 8-INCH SHALL HAVE BLOW-OFF NOT LESS THAN 2 INCHES IN DIAMETER. ASSEMBLIES LARGER THAN 8-INCHES SHALL HAVE A MINIMUM 4-INCH. BLOW-OFF. ASSEMBLIES LESS THAN 2-INCH RECOMMENDED MINIMUM DIAMETER BLOW-OFF SAME AS ASSEMBLY OR PIPE SIZE. DISCHARGE MUST BE PIPED TO OUTSIDE OF BUILDING OR PROVIDE OTHER MEANS OF ADEQUATELY CONVEYING DISCHARGE OF BLOW-OFF TO OUTSIDE OF STRUCTURE. FIRE SPRINKLER SYSTEM MAIN DRAIN VALVE SERVES AS APPROVED BLOW-OFF. (NOT SHOWN)
9. FIRE DEPARTMENT CONNECTION FIVE INCH STORZ WITH A 30 DEGREE TURN DOWN MUST BE PIPED TO OUTSIDE TO LOCATION MINIMUM OF 50 FEET FROM BUILDING WHEN POSSIBLE AND 30 TO 100 FEET TO APPROVED HYDRANT. (NOT SHOWN)
10. UPON COMPLETION OF INSTALLATION INSTALLER MUST CONTACT WATER UTILITIES DEPARTMENT AT (479) 494-3913 FOR SCHEDULING OF FINAL INSPECTION OF ASSEMBLY TO VERIFY CONFORMANCE TO APPROVED INSTALLATION PLANS AND DIVISION 8 OF CITY OF FORT SMITH'S CROSS-CONNECTION CONTROL PROGRAM.

CITY OF FORT SMITH STANDARD DRAWINGS - CROSS CONNECTION CONTROL

NO SCALE

STANDARD NO.
5

VERSION NO.
1

VERSION DATE
02/26/2025

DOUBLE CHECK DETECTOR ASSEMBLY (DCDA)
FIRE PROTECTION WATER SERVICES
(INDOOR VERTICAL INSTALLATION)